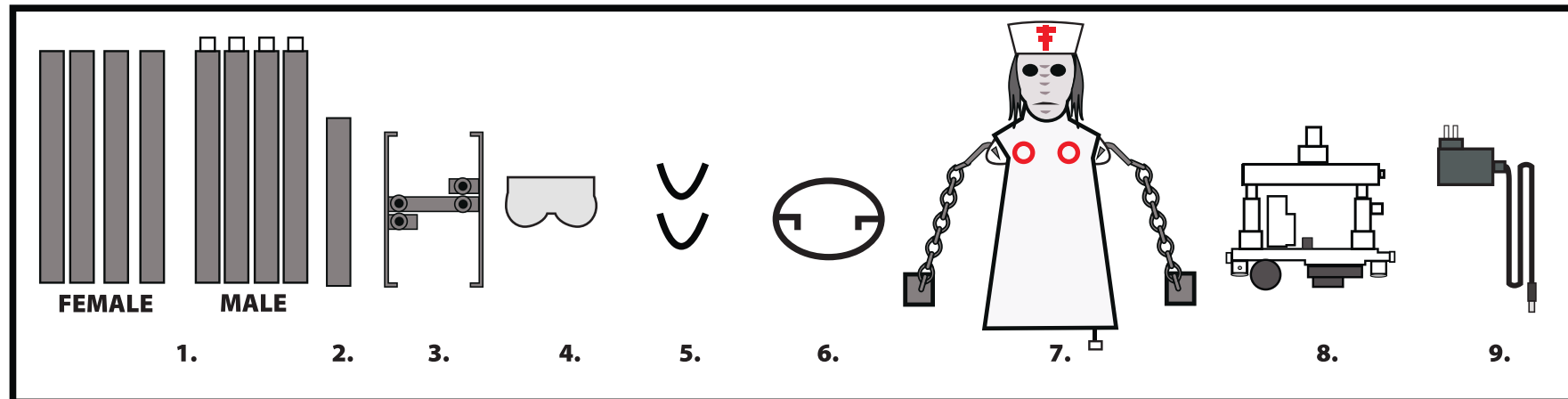


CONVULSING NURSE

INSTALLATION AND OPERATING INSTRUCTIONS

KEEP ALL PLASTIC AND WIRE PARTS AWAY FROM CHILDREN



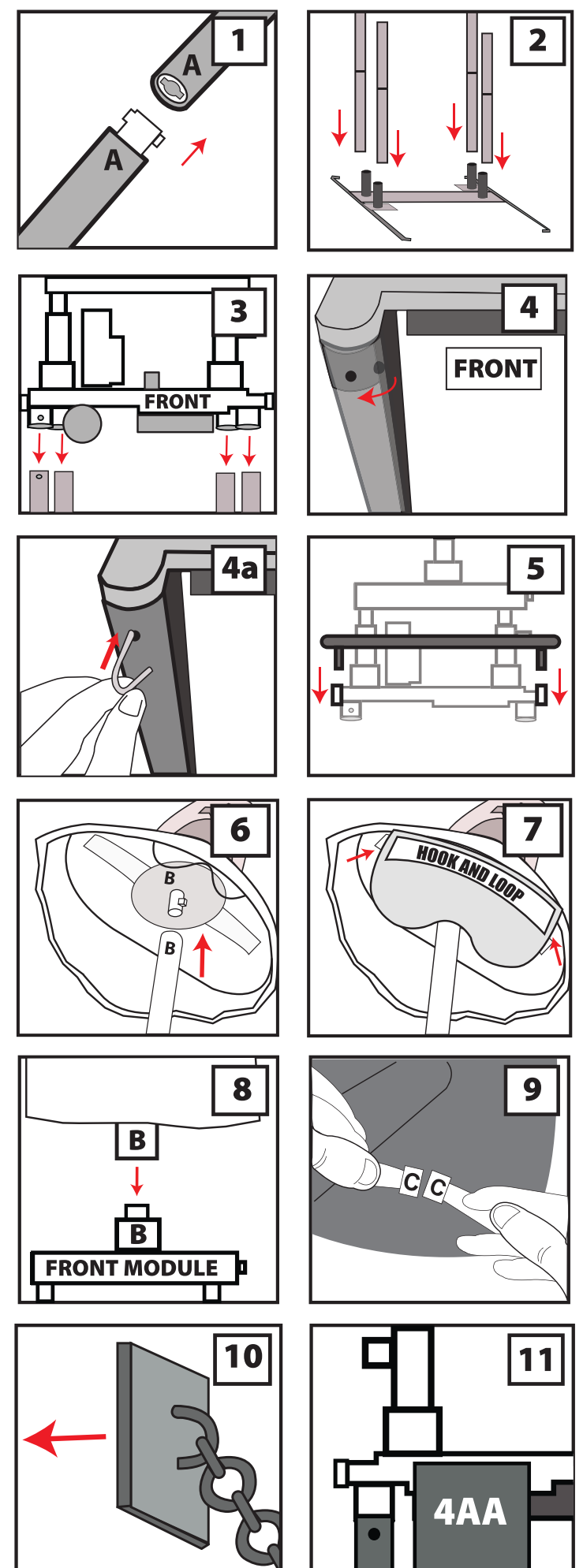
PARTS

- 1. LONG POLES (4 FEMALE & 4 MALE)
- 2. SHORT POLE (FEMALE / FEMALE)
- 3. METAL STAND
- 4. BLISTER CHEST PIECE
- 5. LOCKING PINS
- 6. WAIST BRACKET
- 7. NURSE HEAD, DRESS, AND CHAINS
- 8. MODULE
- 9. 6V 2A DC ADAPTER

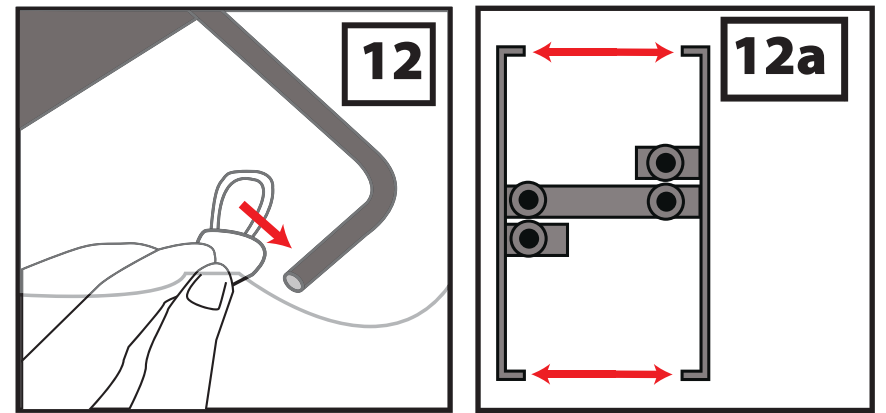
1. Assemble **LONG POLES**, 4 MALE TO 4 FEMALE (Match **A** to **A**). Twist to lock.
2. Attach **LONG POLES** to **METAL STAND**.
3. Attach **MODULE** to assembled **LONG POLES**.
4. Locate holes in the top of the **LONG POLE**. Turn the pole and line up hole in top of the **LONG POLE** with the hole on **MODULE front left** and **MODULE back left**. Insert **LOCKING PIN** as illustrated. (See illustration 4 and 4a)
5. Attach **WAIST BRACKET** to **MODULE** inserting metal prongs facing down. (See illustration 5)
6. Attach **SHORT POLE** to **NURSE HEAD WITH DRESS AND CHAINS**. (Match **B** to **B**) Twist to lock.
7. With skirt lifted up, attach **BLISTER CHEST PIECE** using hook and loop fasteners to front portion of **NURSE HEAD WITH DRESS AND CHAINS**.
8. Attach opposite end of **SHORT POLE** to **MODULE**. (Match **B** to **B**) Twist to lock.
9. Connect cable located under clothes to cable coming from **MODULE**. (Match **C** to **C**)
10. Use 3M adhesive located on the back of the chain brackets to secure brackets to the desired surface.

Note: Use caution when selecting surface to attach chains.
Adhesive may cause damage to some surfaces.

Note: Turn switch on top of **MODULE** to ON to operate in sound & motion activation mode. Leave switch in OFF position when not in use.

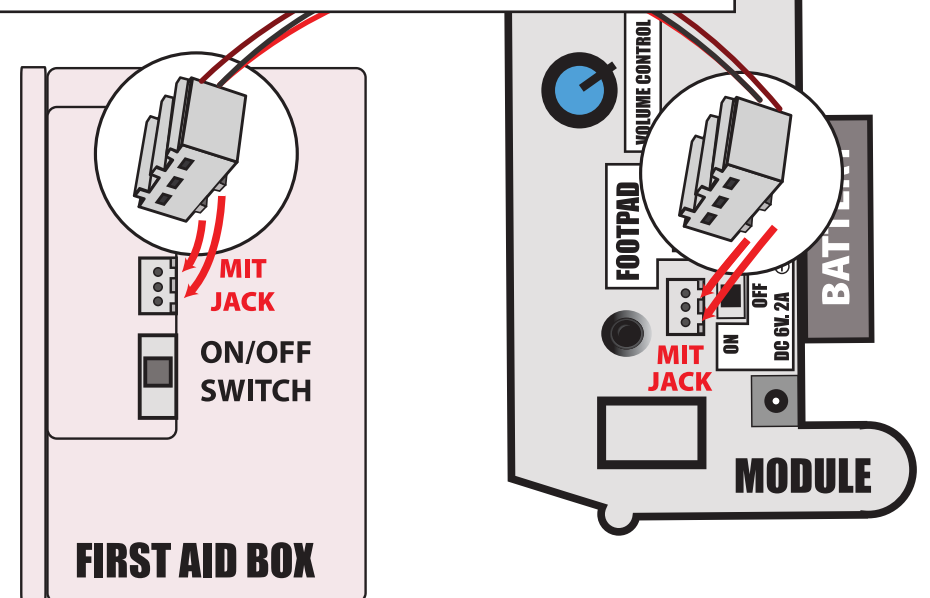


12. Attach four elastic loops located underneath dress to all four corners of **METAL STAND**. (See Illustration 12 and 12a).
13. Adjust Convulsing Nurse's dress for "un"life-like appearance!



- 1). Mount **FIRST AID BOX** in desired location.
- 2). Locate **MIT CABLE** and insert cable into MIT jack located on Convulsing Nurse **MODULE** and MIT jack located on **FIRST AID BOX**.
- 3). Switch Convulsing Nurse to Footpad / MIT mode to trigger Convulsing Nurse using **FIRST AID BOX**. Turn item OFF when not in use.
- 4). Pull down and adjust Convulsing Nurse's skirt.
- 5). Turn switch on **FIRST AID BOX** to ON position.
- 6). Push red button on **FIRST AID BOX** to activate **FIRST AID BOX** and automatically activate Convulsing Nurse.

OPTIONAL MULTIPLE ITEM TRIGGER SET-UP FOR USE WITH FIRST AID BOX



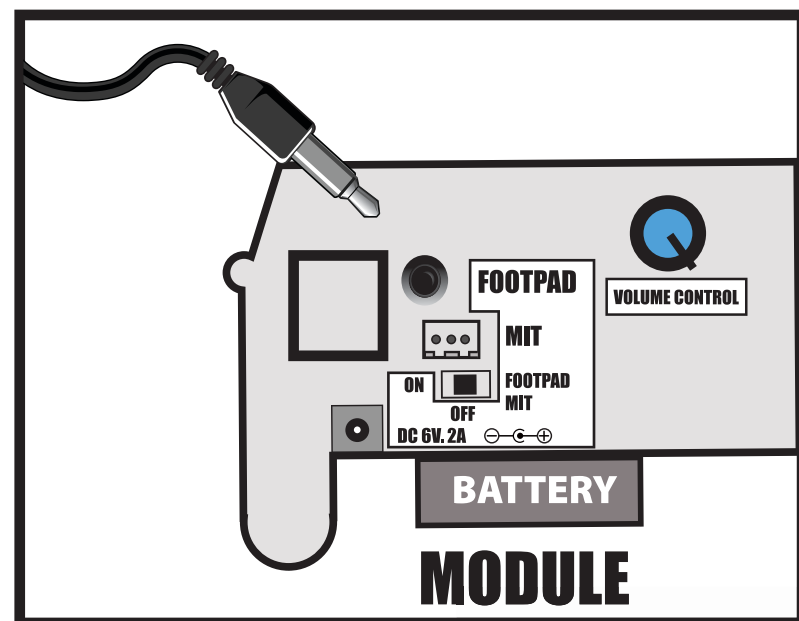
2 PIN GROOVE ON RIGHT SIDE

Optional Footpad Setup

Follow steps #1 through 11 on initial installation first.

1. Connect the cable from the optional footpad to the jack labeled FOOTPAD located on the module.
2. Place the switch on the module into the 'FOOTPAD' position to enable FOOTPAD activation.
3. Step on FOOTPAD to activate the scary sequence. (go to instruction #12 to continue setup)

*Footpads are sold separately and can be purchased at www.spirithalloween.com



****No weight should be placed on item****
WARNING! This item is not a toy. For decoration only. Small parts, choking hazard. This product is intended for use by persons 15 years of age and older. Not intended for use by children ages 14 years and younger.
WARNING
 DO NOT TURN ITEM ON UNTIL YOU HAVE COMPLETELY FINISHED ASSEMBLY. STAY CLEAR OF ITEM WHILE OPERATING.



VISIT US AT TEKKYTOYS.COM

Surface Washable Only.
 ALL NEW MATERIALS : PLASTIC, POLYESTER, POLYESTER FIBER

Battery Powered:
 Requires 4 AA Batteries (not included)
 Optional DC Adapter Ready (6V 2A)
 Convulsing Nurse is a trademark of Tekky Toys.
 Copyright © 2013 Tekky Toys.
 All Rights Reserved.
 MADE IN CHINA

SMART PHONE SCAN SETUP VIDEO



OPTIONAL MIT TRIGGER FIRST AID BOX



DO NOT RETURN THIS ITEM TO THE STORE!
 If experiencing technical difficulties, please go to www.tekkytoys.com for assistance.