

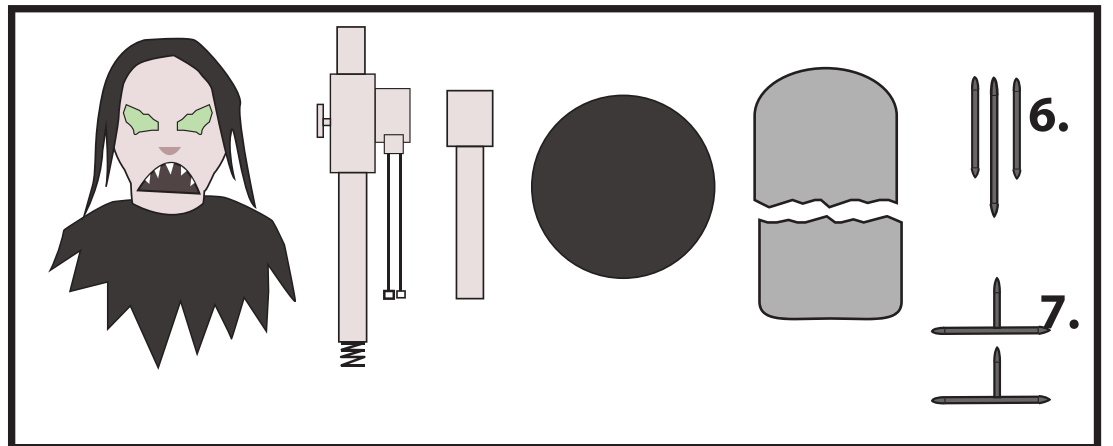
POP UP ZOMBIE

INSTALLATION AND OPERATING INSTRUCTIONS

KEEP ALL PLASTIC AND WIRE PARTS AWAY FROM CHILDREN

WARNING

SPRING LOADED ACTION MAY CAUSE INJURY! USE CAUTION WHEN ASSEMBLING AND FOLLOW INSTRUCTIONS CAREFULLY



PARTS

1. HEAD AND CLOTHES

2. UPPER POLE

3. BOTTOM POLE

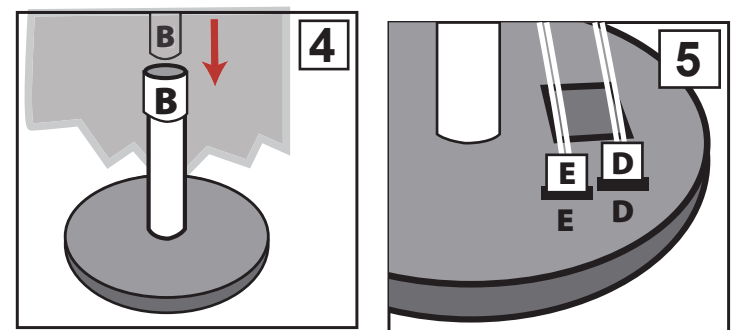
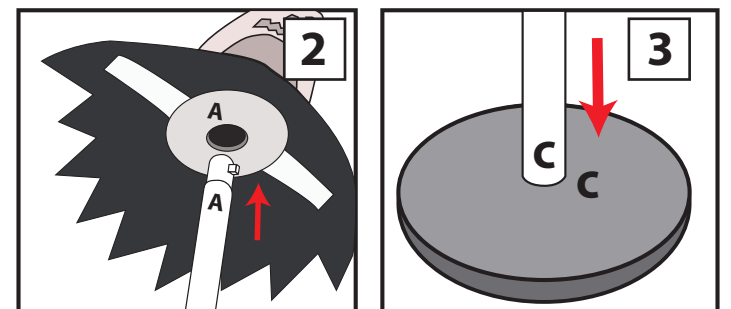
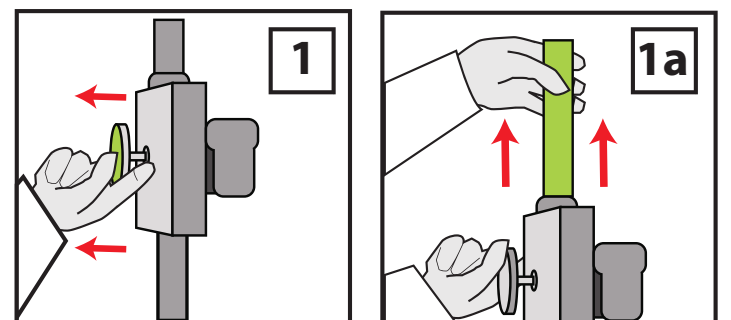
4. BASE

5. TOMBSTONE (2 HALVES)

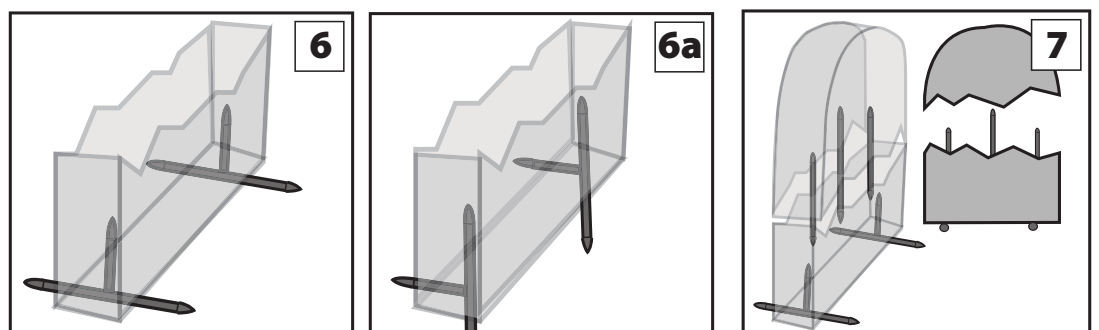
6. TOMBSTONE SPIKES (3)

7. TOMBSTONE FOOT SPIKES (2)

1. Pull the round button located on the **UPPER POLE**. While holding the round button, extend the top of the **UPPER POLE**. (See illustration 1a)
2. Attach **UPPER POLE TO HEAD AND CLOTHES**. (Match **A** to **A**)
Twist to lock.
3. Insert **BOTTOM POLE** into **BASE**. (Match **C** to **C**)
Twist to lock.
4. Insert **HEAD AND CLOTHES** attached to **UPPER POLE** into **BOTTOM POLE**. (Match **B** to **B**)
Note: Once **UPPER POLE** is inserted into **BOTTOM POLE**, it cannot be removed.
5. Connect two wires located under clothing and insert wires into **BASE**, (Match **E** to **E**) and (Match **D** to **D**).
6. Insert 2 **TOMBSTONE FOOT SPIKES** into the bottom of the bottom half of **TOMBSTONE**.
Note: For sheltered outdoor use, insert **TOMBSTONE FOOT SPIKES** as seen in illustration 6a. Use caution when inserting the plastic spikes into the ground, as they may break easily. We recommend puncturing a hole into the ground **BEFORE** inserting plastic spikes. Use a screwdriver or similar tool to puncture ground.
7. Insert 3 **TOMBSTONE SPIKES** into top of top half of **TOMBSTONE**, placing the long spike in the center, and attach top half of **TOMBSTONE**.
8. Place **TOMBSTONE** 3 inches in front of **BASE**.



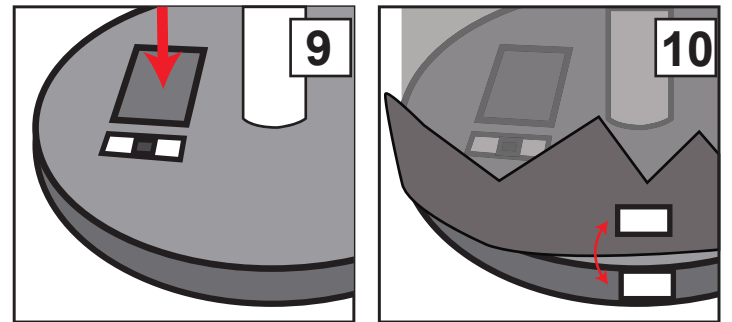
TOMBSTONE ASSEMBLY



9. Insert 4 AA batteries into the battery compartment located on the base or connect 6V DC adapter (Sold Separately).

Note: Turn switch on top of **BASE** to ON to operate in Sound activation mode. Leave switch in OFF position when not in use.

10. Attach the four hook and loop fasteners located under clothing to the opposite hook and loop fasteners located on **BASE**.



Optional Footpad Setup

Follow Steps 1 through 10 on initial installation first.

1. Connect wire from the optional footpad to the jack labeled FOOTPAD located on the base.
2. Place the switch on the base into the 'FOOTPAD' position to enable FOOTPAD activation.
3. Step on FOOTPAD to activate the scary sequence. Continue to step 10.

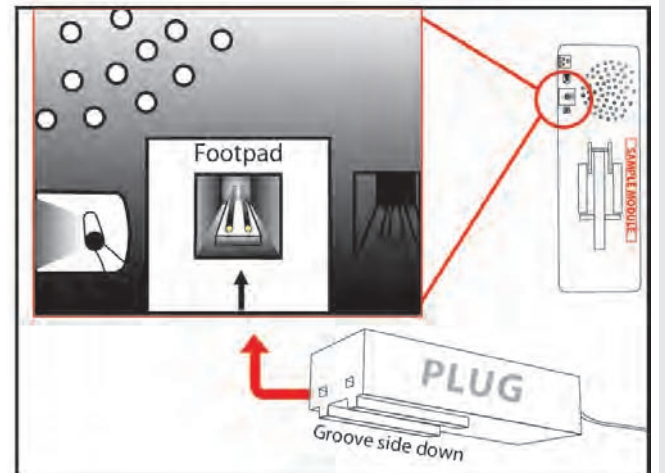
NOTE:

When plugging in, make sure pins line up properly with holes on plug. Align plug, groove side down, with the notch.

CAUTION!

Not aligning the plug to jack properly may cause permanent damage to footpad jack of your item. **DO NOT** use excessive force when inserting plug.

*Footpads are sold separately and can be purchased online at: www.tekkytoys.com



****No weight should be placed onto item****

Warning! This item is not a toy. For decoration only. Small parts, choking hazard.
This product is intended for use by persons 15 years of age and older.
Not intended for use by children ages 14 years and younger.

WARNING

DO NOT TURN THIS ITEM ON UNTIL YOU HAVE COMPLETELY FINISHED ASSEMBLY.

Stay clear of item while operating.

SMART PHONE SCAN SETUP VIDEO



Surface Washable Only.

ALL NEW MATERIALS : PLASTIC, POLYESTER, POLYESTER FIBER

Battery Powered:

Requires 4 AA Batteries (Included)

Optional DC Adapter Ready (6V 2A)

**DC Adapter and footpad sold separately and can be purchased at: www.tekkytoys.com

Pop UP Zombie is a trademark of Tekky Toys.

Copyright © 2012 Tekky Toys.

All Rights Reserved.

MADE IN CHINA



DO NOT RETURN THIS ITEM TO THE STORE!
If experiencing technical difficulties, please go to www.tekkytoys.com for assistance.

