

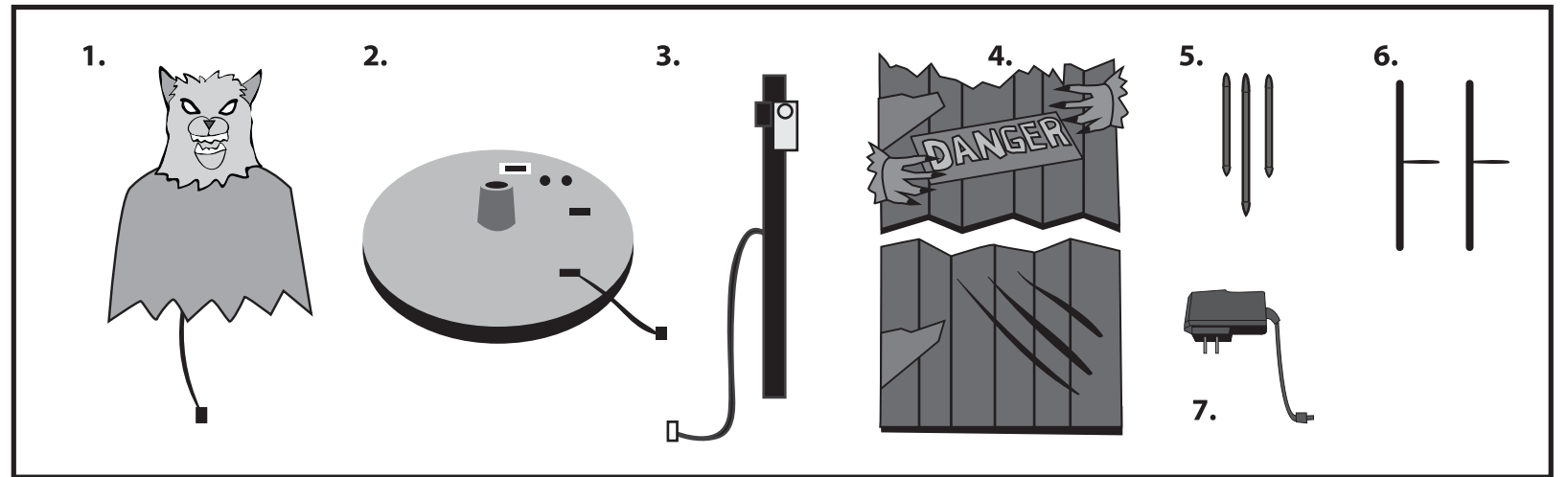
# POP UP WEREWOLF

## INSTALLATION AND OPERATING INSTRUCTIONS

KEEP ALL PLASTIC AND WIRE PARTS AWAY FROM CHILDREN

### PARTS

1. HEAD AND CLOTHING
2. BASE
3. POLE WITH MODULE
4. TOMBSTONE (2 HALVES)
5. TOMBSTONE SPIKES (3)
6. TOMBSTONE FOOT SPIKES (2)
7. 6V 2A ADAPTER



1. Insert 2 **TOMBSTONE FOOT SPIKES** into the bottom of the bottom half of **TOMBSTONE**.

**Note:** For indoor use, insert **TOMBSTONE FOOT SPIKES** as seen in illustration 1. For sheltered outdoor use, see illustration 2. Use caution when inserting the plastic spikes into the ground, as they may break easily. We recommend puncturing a hole into the ground **BEFORE** inserting plastic spikes. Use a screwdriver or similar tool to puncture ground.

2. Insert 3 **TOMBSTONE SPIKES** into pre-made holes in top half of **TOMBSTONE**, placing the long spike in the center, and attach top half of **TOMBSTONE** to bottom half of **TOMBSTONE**. See illustration 3.

3. Place **BASE** in back of the **TOMBSTONE**. The nose on the werewolf must have 1 inch clearance in back of tombstone for item to function properly.

**IMPORTANT: MAKE SURE ITEM SWITCH IS IN "OFF" POSITION BEFORE ASSEMBLY**

4. Attach **HEAD WITH CLOTHING** to the **POLE WITH MODULE**.

\* Push the circular locking pin in while lowering the **HEAD WITH CLOTHING** down onto the **POLE WITH MODULE**. Line up red marks to mount head in proper direction. Release circular locking pin when head is firmly seated on pole.

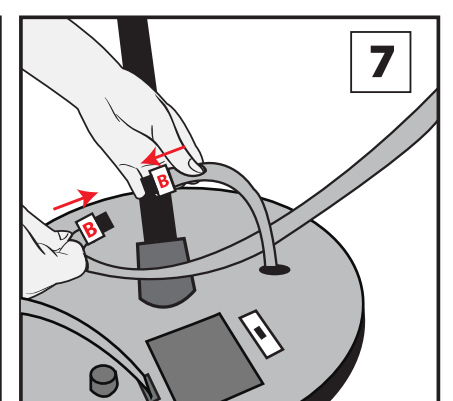
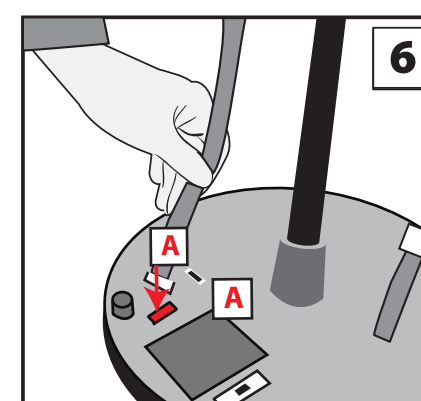
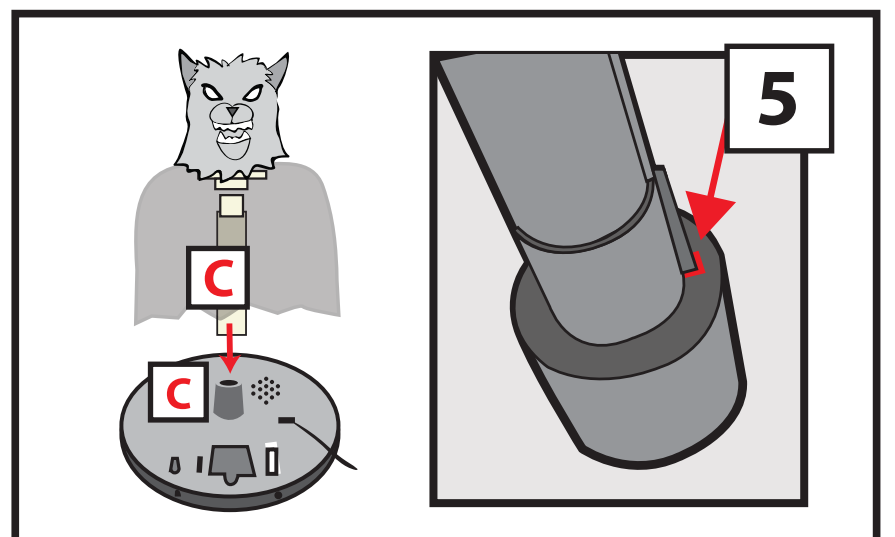
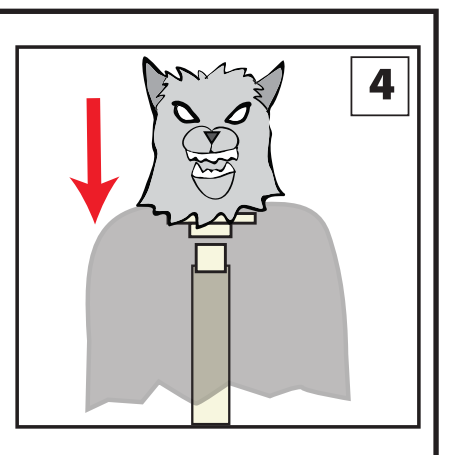
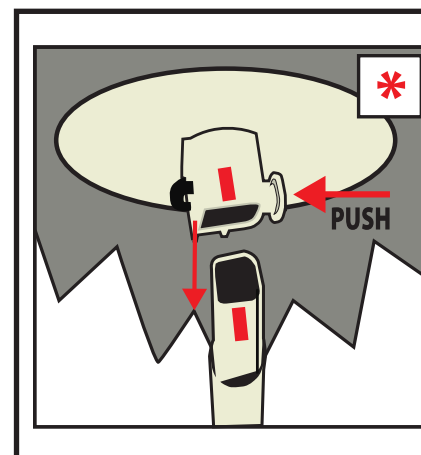
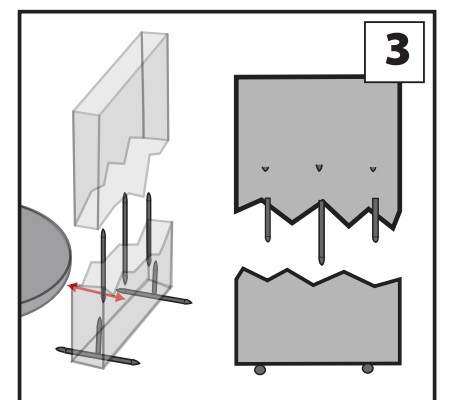
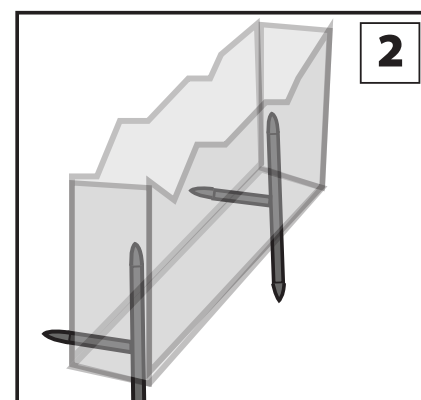
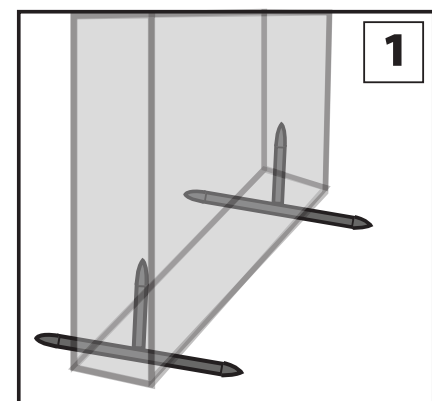
**IMPORTANT: HEAD AND CLOTHING MUST BE PROPERLY SECURED TO POLE WITH MODULE TO OPERATE.**

5. Line up **POLE WITH MODULE** attached to **HEAD AND CLOTHING** with groove in **BASE**. Insert firmly to secure. (Match C to C)

**WARNING: THIS IS A ONE TIME ONLY ASSEMBLY PROCEDURE. ONCE THE POLE IS INSERTED IN THE BASE IT CANNOT BE REMOVED!**

6. Locate wire labeled A under **HEAD AND CLOTHING** and insert wire into **BASE**. (Match A to A)

7. Connect wire located under **HEAD AND CLOTHING** to wire coming from **BASE** (Match B to B)



8. Connect **ADAPTER** or insert 4 AA alkaline batteries (not included) into the battery compartment located on the **BASE**.  
(do not plug into wall until step 11).

**Note:** Turn switch on top of **BASE** to ON to operate in sound activation mode. Make a loud sound (clap) to activate.  
Leave switch in OFF position when not in use.

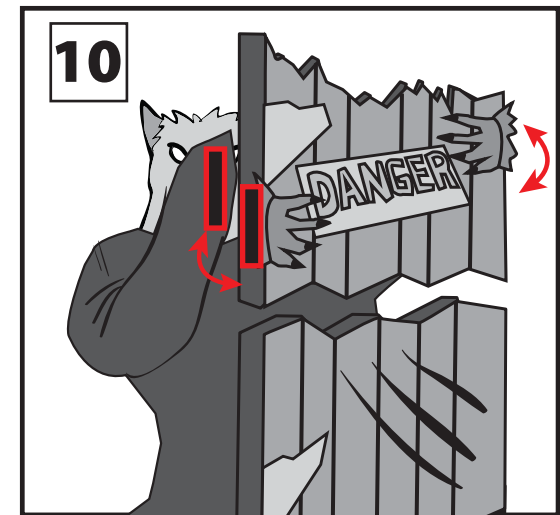
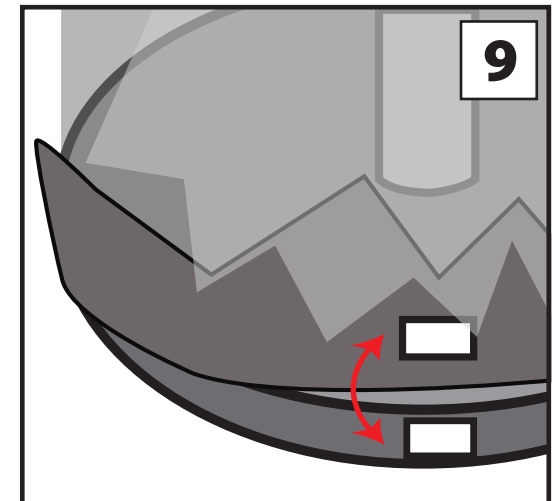
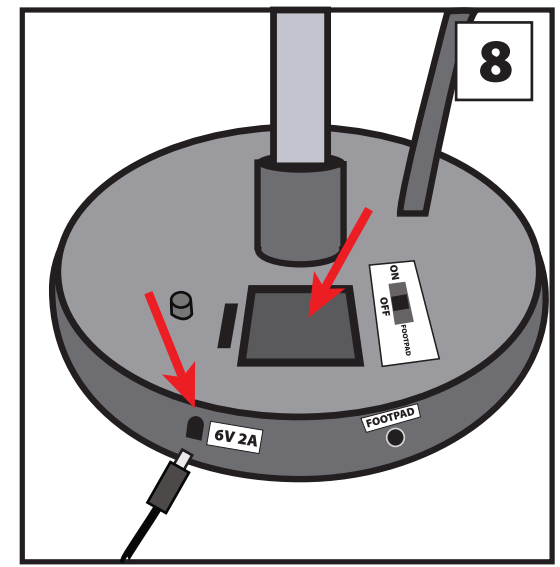
9. Attach four hook and loop fasteners under bottom of clothing onto four sides of round base.

10. Attach the hook and loop located on the inside of both sleeves to both sides of the tombstone.

11. Plug **DC ADAPTER** into electrical outlet.

**IMPORTANT: IMMEDIATELY STAND CLEAR WHEN TURNING SWITCH TO ON POSITION**

12. Adjust sound with **VOLUME CONTROL KNOB** located on the **BASE** as needed.

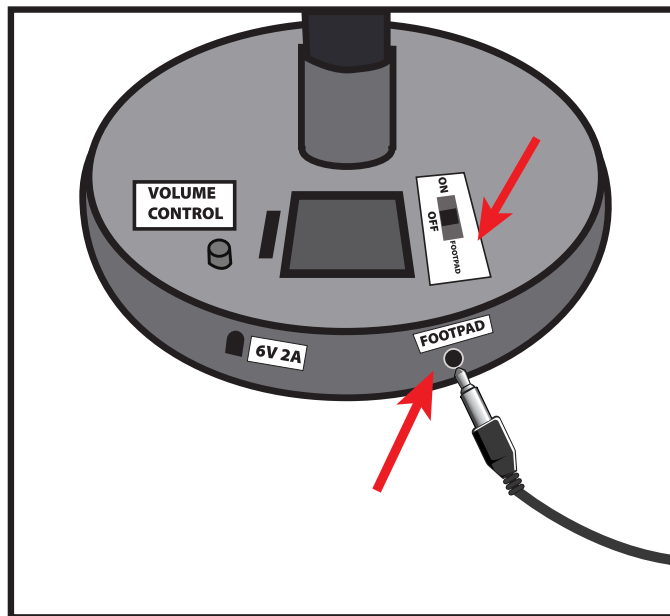


## Optional Footpad Setup

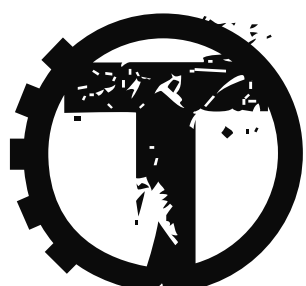
Follow steps #1 through #8 on initial installation first.

1. Connect the cable from the optional footpad to the jack labeled FOOTPAD located on the base.
2. Flip the switch on the base to the 'FOOTPAD' position to enable FOOTPAD activation.
3. Step on FOOTPAD to activate the scary sequence. (go to instruction #9 to continue setup)

\*Footpads are sold separately and can be purchased at [www.tekkytoys.com](http://www.tekkytoys.com)



## SMART PHONE SCAN SETUP VIDEO



**TEKKY**

VISIT US AT [TEKKYTOYS.COM](http://TEKKYTOYS.COM)

Requires 4 'AA' Batteries or optional DC adapter (6V 2A)  
**Surface Washable Only.**

ALL NEW MATERIALS :  
PLASTIC, POLYESTER, POLYESTER FIBER

Pop Up Werewolf is a trademark of Tekky Toys.  
Copyright © 2014 Tekky Toys.  
All Rights Reserved.  
MADE IN CHINA

**WARNING**  
**DO NOT TURN ITEM ON UNTIL YOU HAVE COMPLETELY FINISHED ASSEMBLY.**  
**STAY CLEAR OF ITEM WHILE OPERATING.**  
**DO NOT PLACE ITEM ON UNEVEN GROUND.**  
**DO NOT PLACE WEIGHT ON ITEM WHILE IN OPERATION**



**DO NOT RETURN THIS ITEM TO THE STORE!**  
If experiencing technical difficulties, please go to [www.tekkytoys.com](http://www.tekkytoys.com) for assistance.

**Tekky Toys Hours of Operation: Monday - Friday 9am to 5pm CST**

**T: 708-478-8424 E: [support@tekkytoys.com](mailto:support@tekkytoys.com)**  
**visit us: [tekkytoys.com](http://tekkytoys.com)**

